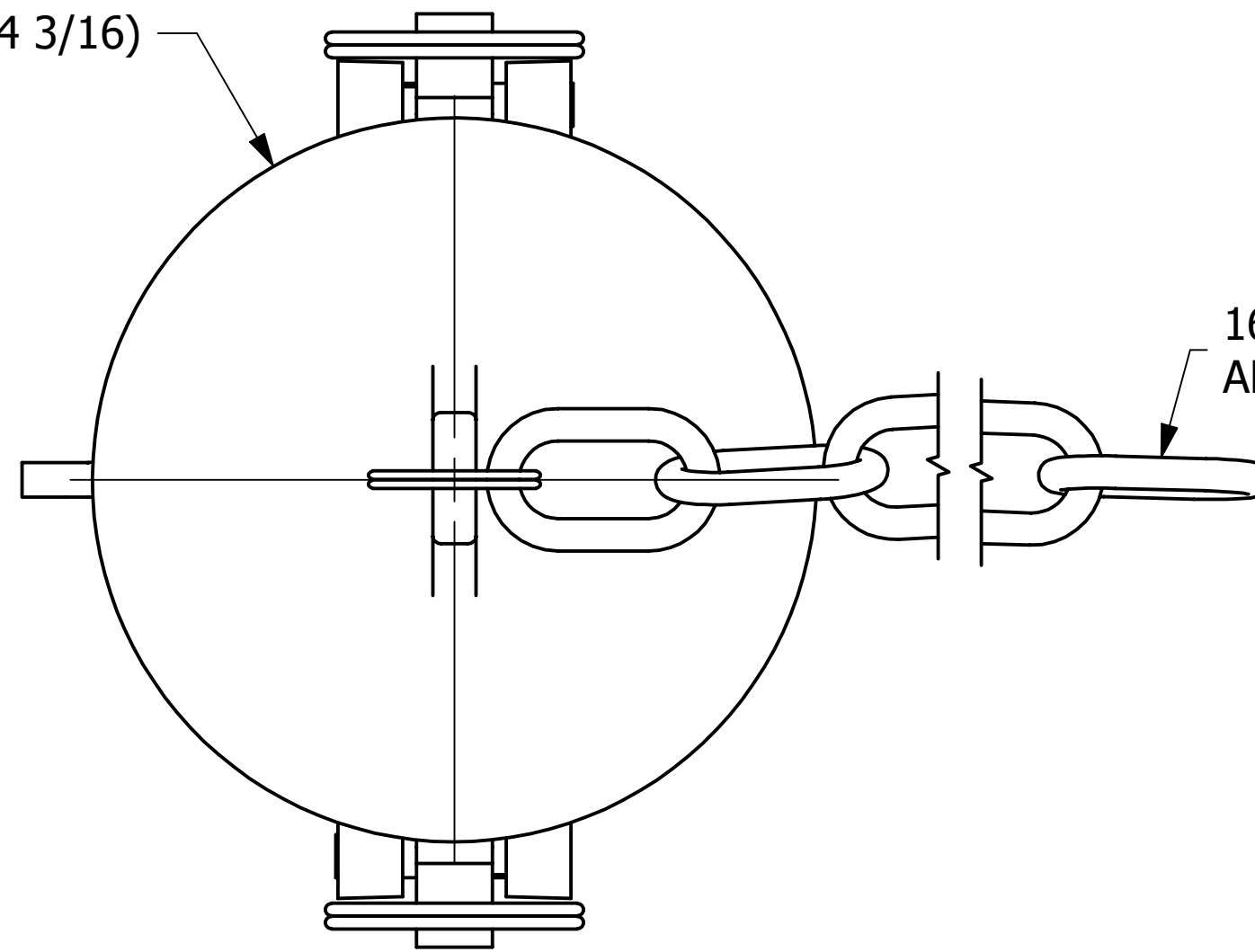


(Ø4 3/16)



16 LINKS OF 3/16" CS Z/P CHAIN
APPROXIMATE LENGTH IS 16"

NOTE:
GASKET MATERIAL: WHITE FDA NITRILE.

E	WRB	6-13-07	ADDED TEST PROCEDURE NOTE
D	PJG	9-28-05	UPDATED TO 3D
C	FOD	8-21-98	CHANGED QUANTITY TO 17 LINKS WAS 16 LINKS
B	MRC	2-12-98	NEW TITLEBLOCK, SC28 REQUIRED 17 LINKS
A	ACC	4-16-97	PART NUMBER WAS PD3SBKAA
REV	BY	DATE	DESCRIPTION

UNLESS OTHERWISE SPECIFIED DIMENSIONAL TOLERANCES FRACTIONAL: ±1/16 X.XX: ±.03 X.XXX: ±.015 ANGLE: ±1° DEBURR ALL SHARP EDGES. ALL MACHINED SURFACES TO HAVE A 125 RMS FINISH UNLESS NOTED OTHERWISE. THIRD ANGLE PROJECTION	DRAWN BY:	ACC
	CHECKED BY:	AVD
	PROTOTYPE BY:	ACC
	PROTOTYPE DATE:	6/19/1995
	APPROVED FOR PRODUCTION BY:	ACC
	PRODUCTION DATE:	6/19/1995

SALCO PRODUCTS, INC.

PART NAME:
DUST CAP 3"

MATERIAL: **ALUMINUM**

PROJECT #: SHEET #: **1 OF 1** SCALE: **1:1**

DRAWING #: **C7594** PART #: **PD3ADCA**